

REVISIONS				
C/L	DESCRIPTION	BY	APP'D	DATE
F	REVISED MOTOR SPECS/DIMENSIONS.	MC	AD	08/26/99
G	REVISED OPTION & NOTES	MC	AD	5/10/00

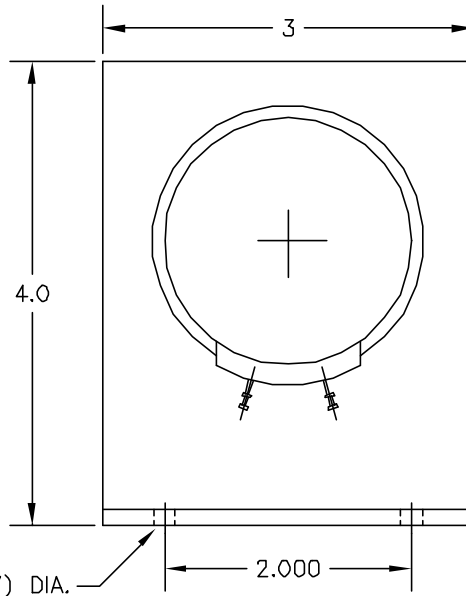
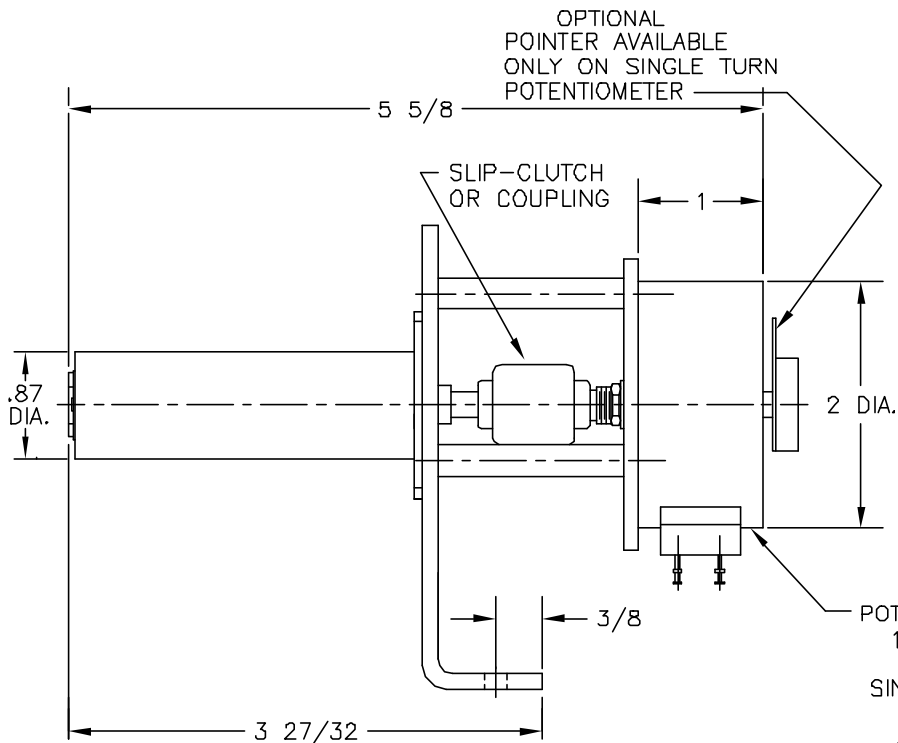
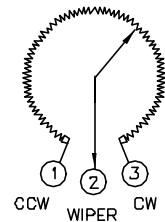


CHART 1

35	55	52
2B	52	40
24	50	30
12	48	14
6	45	5
VOLTAGE DC	ma	RPM
NO LOAD		

DASH No.	RESISTANCE (Ohms)
102	1,000
502	5,000
103	10,000
203	20,000

SCHEMATIC AS VIEWED FROM SHAFT END



- 3.2 SEALED CONSTRUCTION.
- 3.1 ANODIZED ALUMINUM BASE.
3. GENERAL SPECIFICATIONS.
  - 2.6 AVAILABLE IN SINGLE TURN AND 10 TURN.
  - 2.5 UP TO 6 SINGLE TURN POTENTIOMETERS OR SWITCHES MAY BE ADDED.
  - 2.4 WATTAGE: SEE POTENTIOMETER SPECS.
  - 2.3 INDEPENDENT LINEARITY:  $\pm 0.5\%$ .
  - 2.2 ROTATION: SEE POTENTIOMETER SPECS.
  - 2.1 STANDARD RESISTANCE: SEE CHART. (OTHER VALUES ON REQUEST.)
2. POTENTIOMETER DATA.
  - 1.6 TYPE: PERMANENT MAGNET.
  - 1.5 BREAK AWAY VOLTAGE: 5 VOLTS. DC.
  - 1.4 TORQUE AT 6 VOLTS: 20 OUNCE-INCHES.
  - 1.3 CURRENT: (SEE CHART 1).
  - 1.2 VOLTAGE, DC: (SEE CHART 1).
  - 1.1 SPEED: (SEE CHART 1).
1. MOTOR SPECIFICATIONS.

TOLERANCES UNLESS OTHERWISE SPECIFIED		PRECISION SALES INC. www.precision-sales.com	
FRACTIONS $\pm 1/64$	DECIMALS $.XX \pm .010$	P:610-359-1002	F:610-353-1674
ANGLES $\pm 1/2^\circ$	$.XXX \pm .005$	<b>MAUREY INSTRUMENT CORP.</b> DC, MOTOR DRIVEN, POTENTIOMETER	
<small>THESE DRAWINGS AND SPECIFICATIONS ARE THE PROPERTY OF MAUREY INSTRUMENT CORP AND ARE ISSUED IN STRICT CONFIDENCE AND SHALL NOT BE REPRODUCED OR COPIED OR USED AS THE BASIS FOR THE MANUFACTURE OR SALE OF APPARATUS IN WHOLE OR IN PART WITHOUT PERMISSION</small>			
PART NO.	NEXT ASSY.	DRAWN BY ADM APP'D EM SCALE NONE DATE 07/18/88	M2391 G